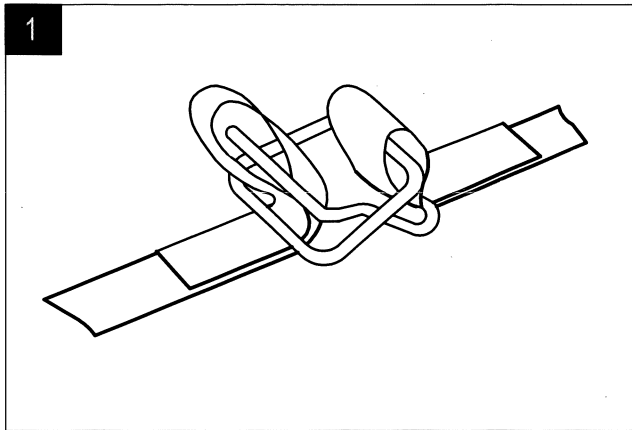
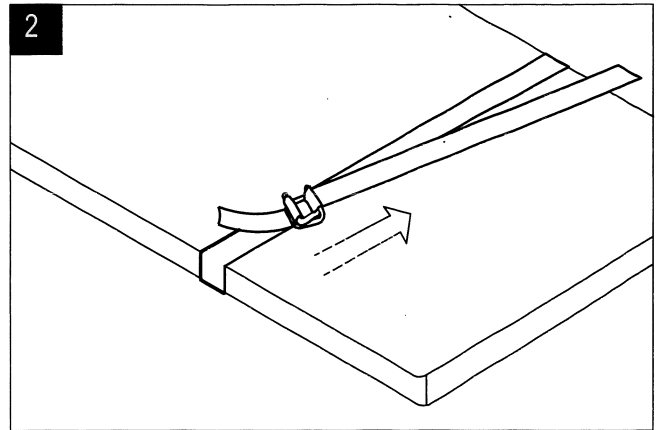


Plastic Strapping Tensioner

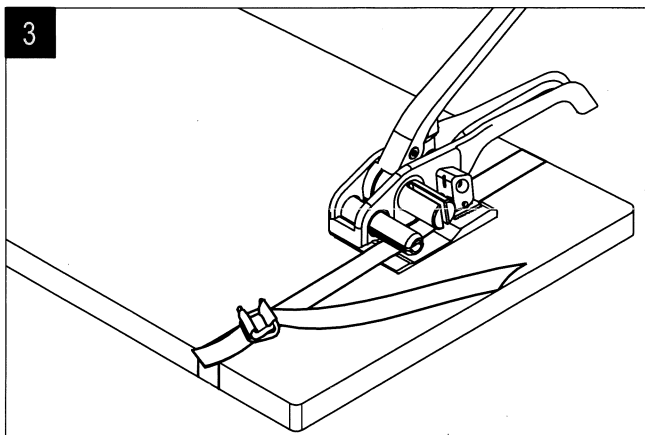
OPERATING INSTRUCTIONS



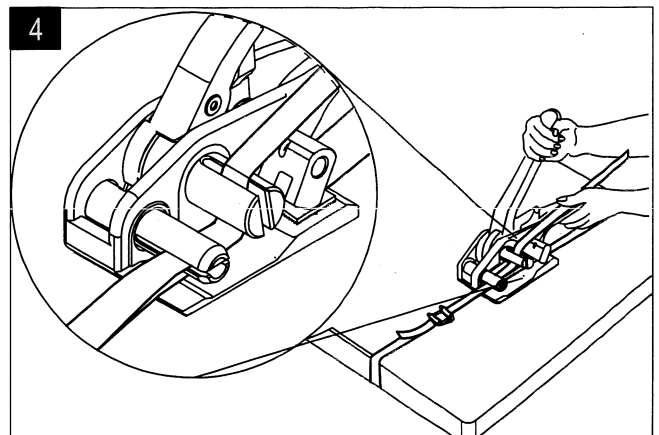
1 Thread the strap through the buckle as shown. Keep legs of buckle pointing to the right.



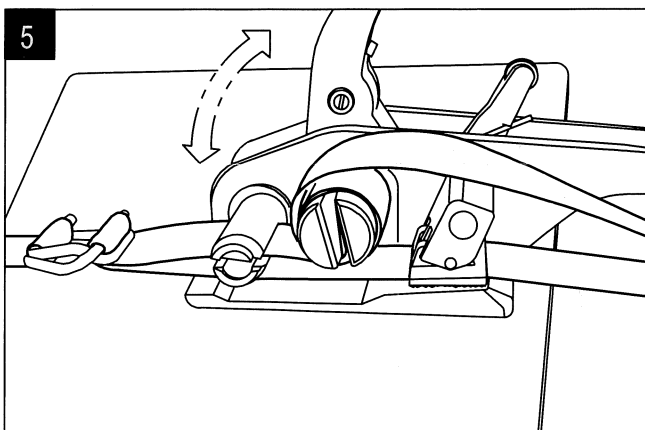
2 Put strap and buckle around package and manually pull to tighten the strap.



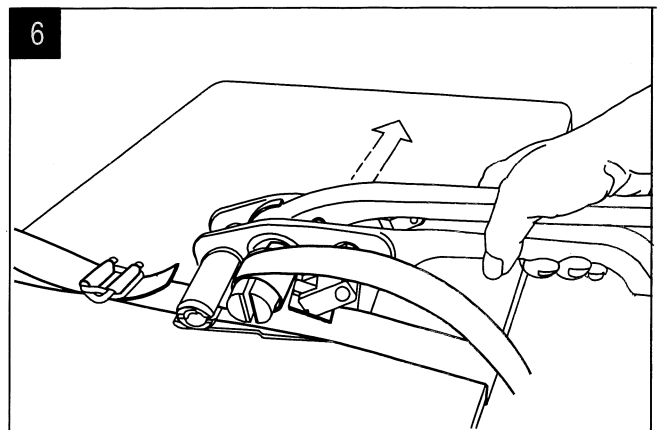
3 Press the handle to lift the gripper leg so the strap can be put under the gripper



4 Slide the upper strap through the slot of cutter and windlass

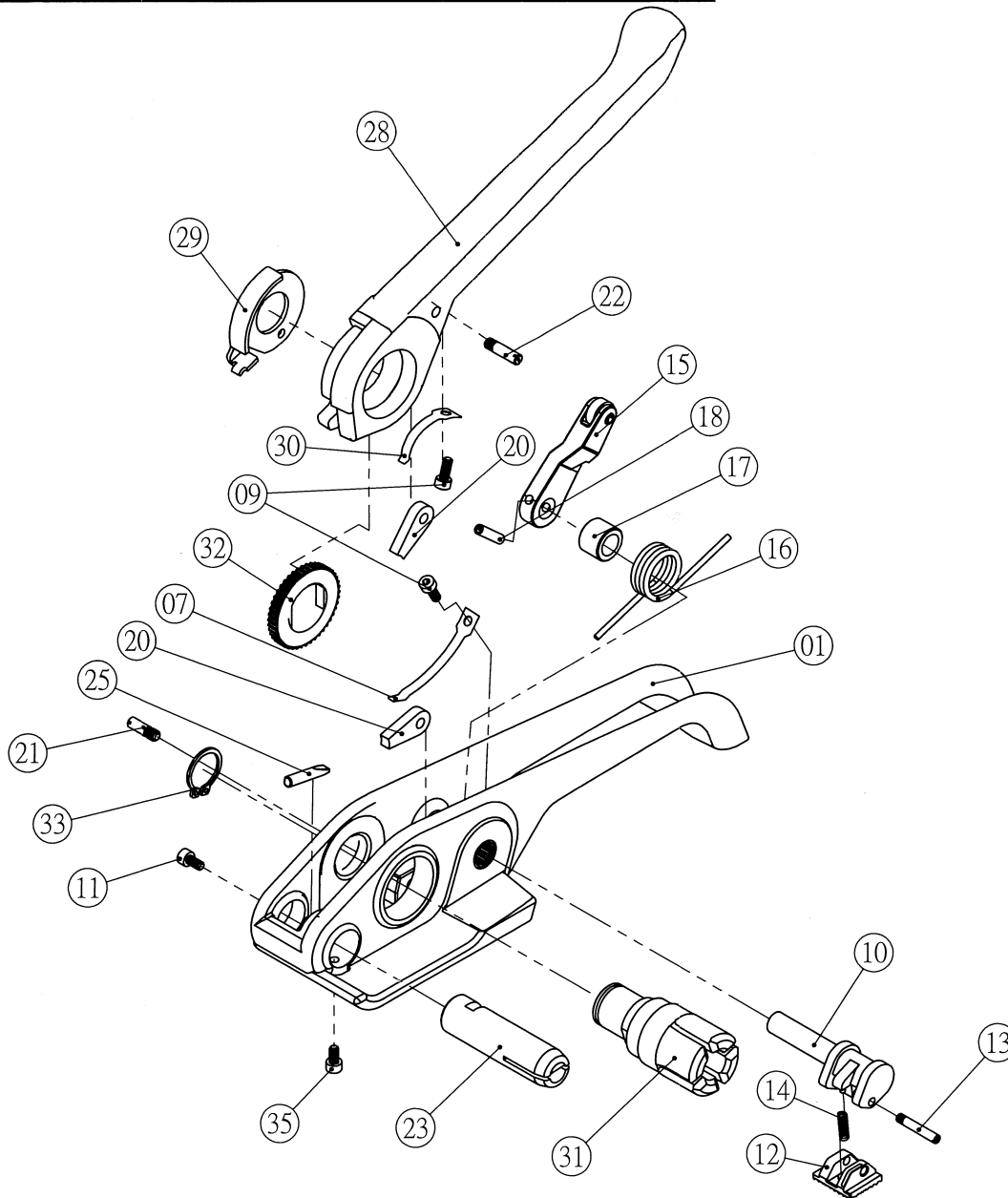


5 Hold the tool and strap with your left hand and move the handle forward and backward until the strap is tensioned

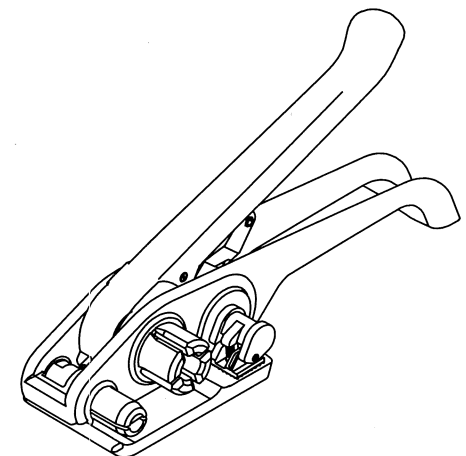


6 Depress the handle to cut the strap. Pivot tensioner away from the strap

Plastic Strapping Tensioner



Part No.	Part Name	QTY
01	Base	1
07	Base Toggle Spring	1
09	Screw	2
10	Leg	1
11	Screw	1
12	Foot	1
13	Foot Screw	1
14	Foot Spring	1
15	Lever Release Assembly	1
16	Main Spring	1
17	Bushing	1
18	Spring Pin	1
20	Handle Toggle	2
21	Base Shaft	1
22	Handle Shaft	1
23	Cutter & Cutter Housing	1
25	Blade Lever	1
28	Handle	1
29	Nose Hook	1
30	Handle Spring	1
31	Windlass	1
32	Ratchet Wheel	1
33	Clip	1
35	Screw	1



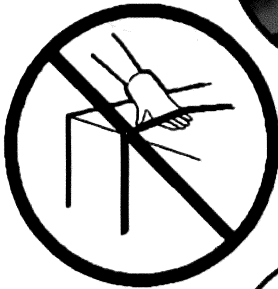
SAFETY INSTRUCTIONS



1. Before using the tool, read the operating instructions carefully. Not using tool properly can cause serious injury or death.



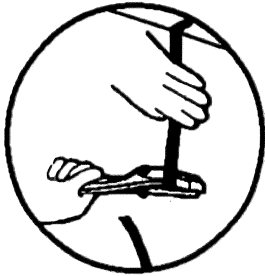
2. Always wear eye, or face, and hand protection when operating the tool.



3. Do not put any part of your body between the strap and the package while operating the tool.



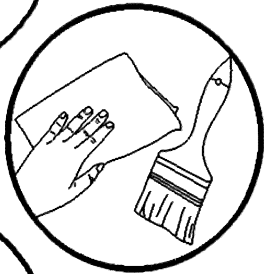
4. Dangerous breakage may occur due to excessive tensioning. Do not over tension the strap.



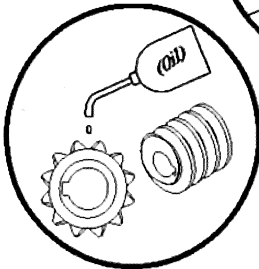
5. Do not stand in line with the strap while it is being tensioned. The strap could break if over tensioned.



7. Always use the original replacement parts to ensure quality.



8. Clean the tool with brush or compressed air periodically.



9. Apply light machine oil to all moving parts.